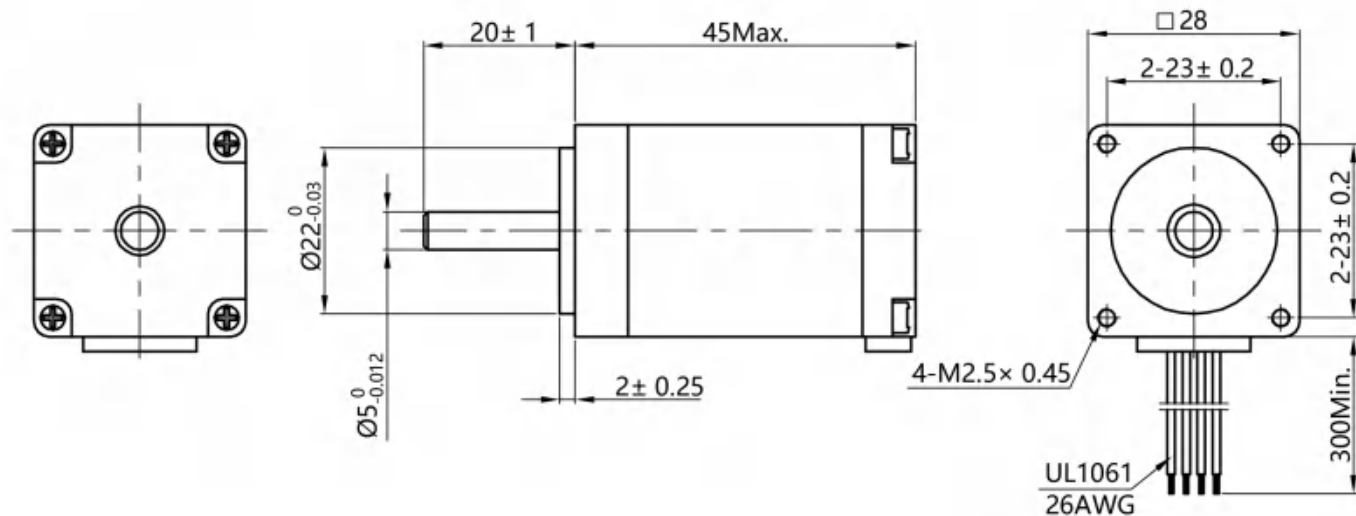
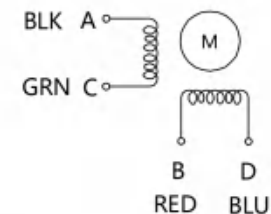


HYBRID STEPPING MOTOR SPECIFICATION

DIMENSIONS unit=mm



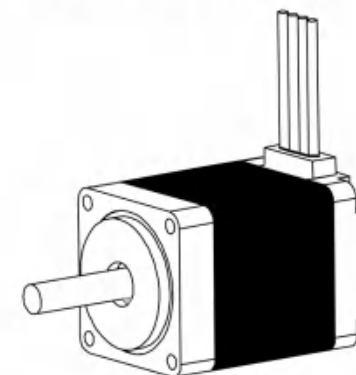
Wiring Diagram



Exciting Sequence vs. Direction of Rotation

STEP	A	B	C	D	
1	+	+	-	-	CCW ↑
2	-	+	-	-	
3	-	-	+	+	
4	+	-	-	+	

Clockwise view from mounting side



1. Number of Phase	2				
2. Step Angle	1.8° deg.				
3. Rated Voltage	4.6 V				
4. Rated Current/Phase	0.67 A (Peak Value)				
5. Phase Resistance	6.8 Ω ± 0.1(20°C)				
6. Phase Inductance	4.9 mH± 20%(1kHz 1V RMS)				
7. Holding Torque	950g.cm				
8. Insulation Class	B (130°) ; 80K Max.				
9. Weight	0.14 kg				
Specifications		Comment			

REV.	REVISION RECORD	DATE
DESIGN	Changzhou BesFoc Motor Co., Ltd www.besfoc.com	
STANDARD		
TECHNOLOGY		
CHECK		
APPROVE		

TITLE		STEPPING MOTOR			
DWG.NO.		BF28HS45-0674			
MATERIAL		ECN SIGN	✳	SIZE	A4
REV.	A	SCALE	1:1	SHEET	1 of 1

Specification