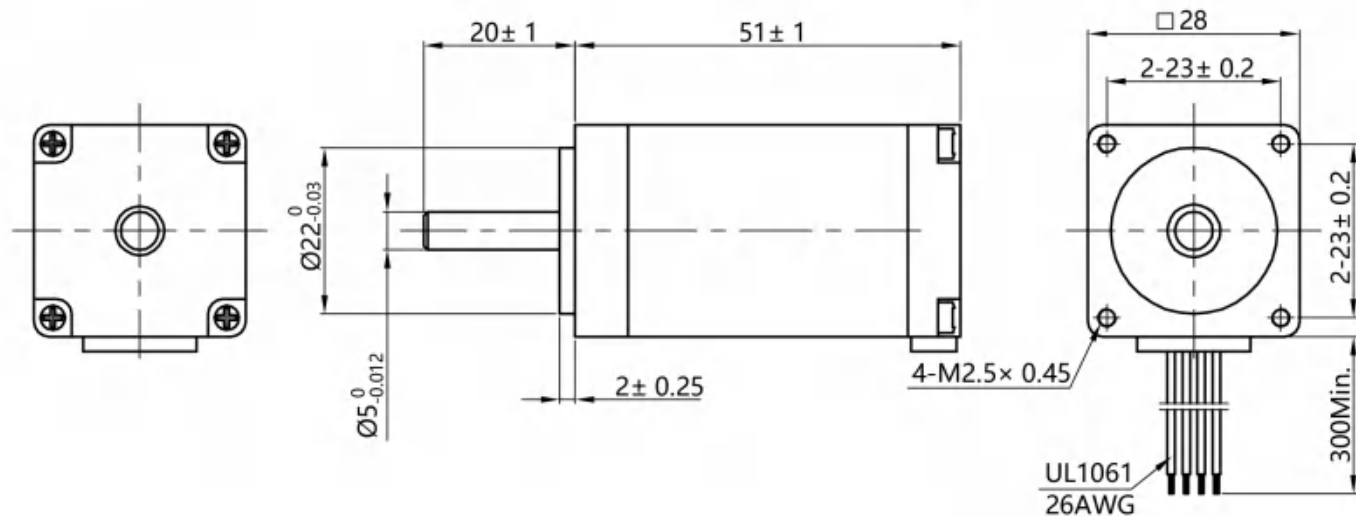
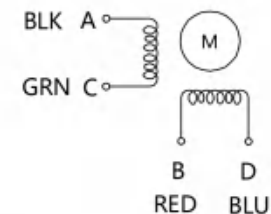


HYBRID STEPPING MOTOR SPECIFICATION

DIMENSIONS unit=mm



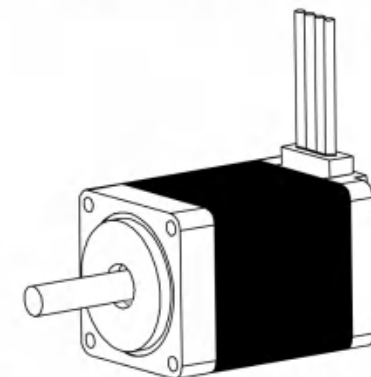
Wiring Diagram



Exciting Sequence vs. Direction of Rotation

STEP	A	B	C	D	
1	+	+	-	-	CCW ↑
2	-	+	+	-	
3	-	-	+	+	
4	+	-	-	+	

Clockwise view from mounting side



1. Number of Phase	2				
2. Step Angle	1.8° deg.				
3. Rated Voltage	6.16 V				
4. Rated Current/Phase	0.67 A (Peak Value)				
5. Phase Resistance	9.2 Ω ± 0.1(20°C)				
6. Phase Inductance	7.2 mH± 20%(1kHz 1V RMS)				
7. Holding Torque	1200g.cm				
8. Insulation Class	B (130°) ; 80K Max.				
9. Weight	0.2 kg				
Specifications		Comment			

REV.	REVISION RECORD	DATE
DESIGN		
STANDARD		
TECHNOLOGY		
CHECK		
APPROVE		

Changzhou BesFoc Motor Co., Ltd
www.besfoc.com

Specification

TITLE	STEPPING MOTOR			
DWG.NO.	BF28HS51-0674			
MATERIAL	ECN SIGN	SIZE	A4	
REV.	A	SCALE	1:1	SHEET 1 of 1