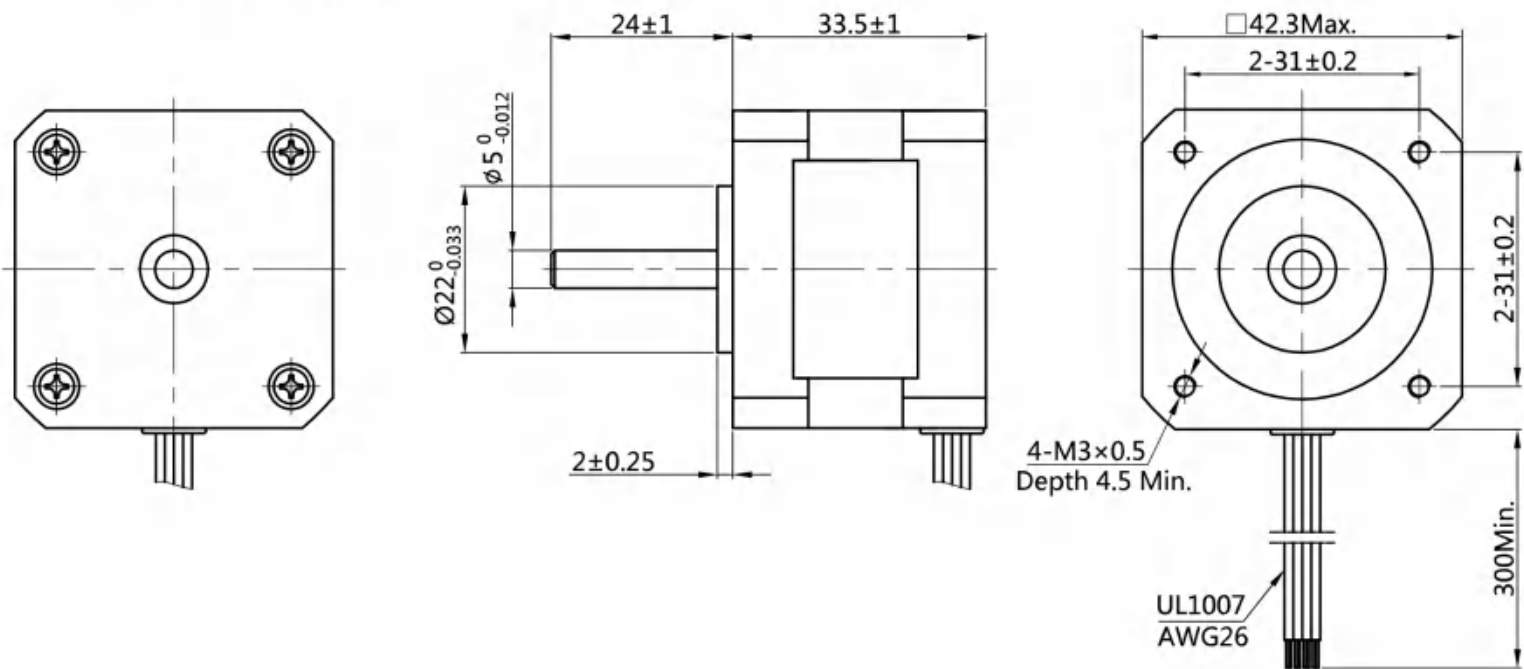
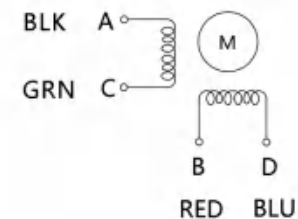


HYBRID STEPPING MOTOR SPECIFICATION

DIMENSIONS unit=mm



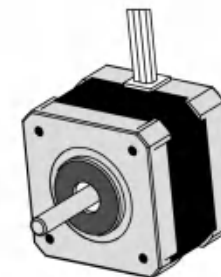
Wiring Diagram



Exciting Sequence vs. Direction of Rotation

STEP	A	B	C	D	
1	+	+	-	-	CCW ↑
2	-	+	+	-	
3	-	-	+	+	
4	+	-	-	+	

Clockwise view from mounting side



1. Number of Phase	2				
2. Step Angle	1.8° deg.				
3. Rated Voltage	12 V				
4. Rated Current/Phase	0.4 A (峰值 Peak Value)				
5. Phase Resistance	30 Ω±10%(20°C)				
6. Phase Inductance	35 mH±20%(1kHz 1V RMS)				
7. Holding Torque	2.8 kg.cm				
8. Insulation Class	B (130°) ;温升 80K Max.				
9. Weight	0.22 kg				
Specifications		Comment			

REV.	REVISION RECORD		DATE
	DESIGN	成兆茹 2020.6.29	
	STANDARD		
	TECHNOLOGY		
	CHECK		
	APPROVE		

Changzhou BesFoc Motor Co., Ltd
www.besfoc.com

Specification

TITLE	STEPPING MOTOR			
DWG.NO.	BF42HS34-0404			
MATERIAL	ECN SIGN	※	SIZE	A4
REV.	A	SCALE	1:2	SHEET 1 of 1