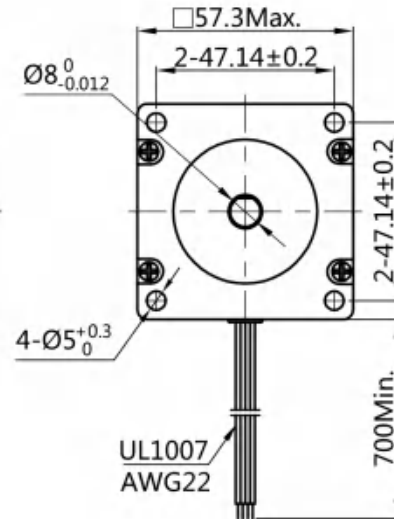
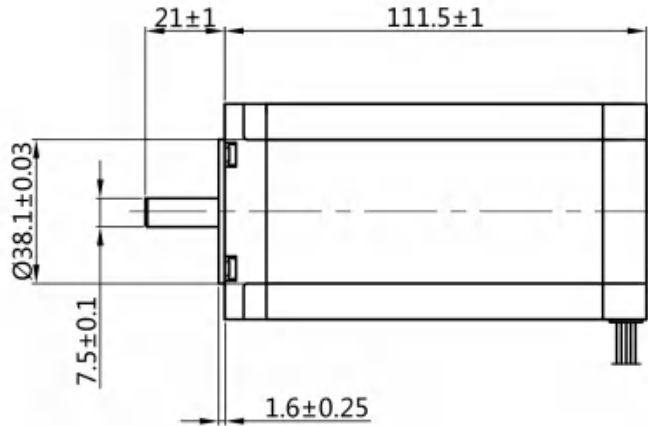
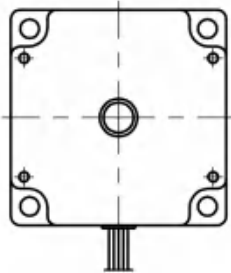
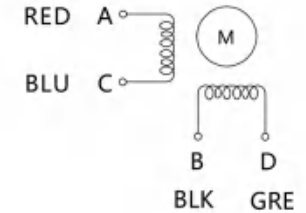


HYBRID STEPPING MOTOR SPECIFICATION

DIMENSIONS unit=mm



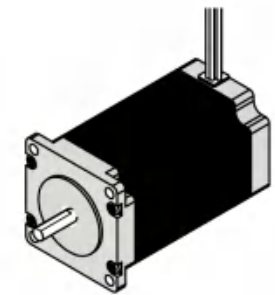
Wiring Diagram



Exciting Sequence vs. Direction of Rotation

STEP	A	B	C	D	
1	+	+	-	-	↓ CW ↑ CCW
2	-	+	+	-	
3	-	-	+	+	
4	+	-	-	+	

Clockwise view from mounting side



1, Number of Phase	2	<table border="1" style="width: 100%;"> <thead> <tr> <th>REV.</th> <th colspan="2">REVISION RECORD</th> <th>DATE</th> </tr> </thead> <tbody> <tr> <td>DESIGN</td> <td>YY</td> <td>2020.06.29</td> <td rowspan="5" style="text-align: center;"> Changzhou BesFoc Motor Co., Ltd www.besfoc.com </td> </tr> <tr> <td>STANDARD</td> <td></td> <td></td> </tr> <tr> <td>TECHNOLOGY</td> <td></td> <td></td> </tr> <tr> <td>CHECK</td> <td></td> <td></td> </tr> <tr> <td>APPROVE</td> <td></td> <td></td> </tr> </tbody> </table>	REV.	REVISION RECORD		DATE	DESIGN	YY	2020.06.29	Changzhou BesFoc Motor Co., Ltd www.besfoc.com	STANDARD			TECHNOLOGY			CHECK			APPROVE				
REV.	REVISION RECORD		DATE																					
DESIGN	YY		2020.06.29	Changzhou BesFoc Motor Co., Ltd www.besfoc.com																				
STANDARD																								
TECHNOLOGY																								
CHECK																								
APPROVE																								
2, Step Angle	1.8° deg.																							
3, Rated Voltage	6.3 V																							
4, Rated Current/Phase	4.2 A (Peak Value)																							
5, Phase Resistance	0.9 Ω±0.1(20°C)																							
6, Phase Inductance	3.8 mH±20%(1kHz 1V RMS)																							
7, Holding Torque	28 Kg.cm																							
8, Insulation Class	B (130°) ; 80K Max.																							
9, Weight	1.5 kg																							
Specifications		Comment																						

TITLE	STEPPING MOTOR			
DWG.NO.	BF57HS112-4204-03			
MATERIAL	ECN SIGN	✳	SIZE	A4
REV.	A	SCALE	1:2	SHEET 1 of 1