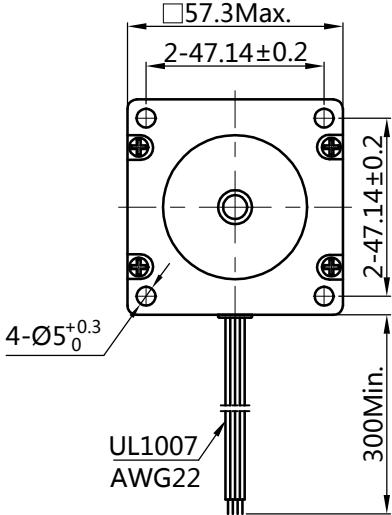
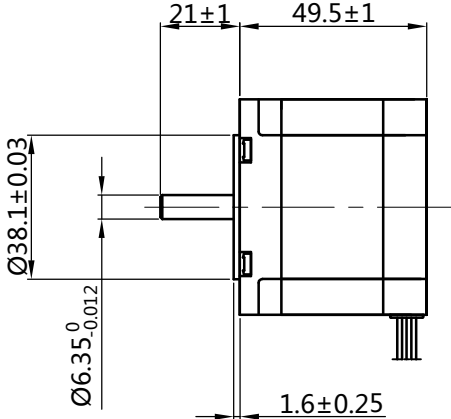
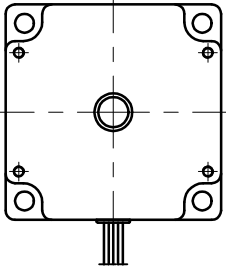
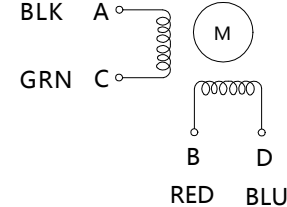


# HYBRID STEPPING MOTOR SPECIFICATION

**DIMENSIONS unit=mm**



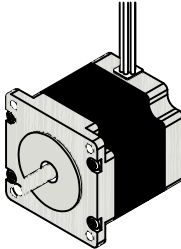
**Wiring Diagram**



**Exciting Sequence vs. Direction of Rotation**

STEP	A	B	C	D	
1	+	+	-	-	↓ CW ↑ CCW
2	-	+	+	-	
3	-	-	+	+	
4	+	-	-	+	

**Clockwise view from mounting side**



1、 Number of Phase	2
2、 Step Angle	1.8° deg.
3、 Rated Voltage	2.3 V
4、 Rated Current/Phase	2.8 A ( Peak Value )
5、 Phase Resistance	0.83 Ω±0.1(20°C)
6、 Phase Inductance	2.2 mH±20%(1kHz 1V RMS)
7、 Holding Torque	10.1 Kg.cm
8、 Insulation Class	B ( 130° ) ; 80K Max.
9、 Weight	0.59 kg

		Email: sales@besfoc.com		REV.	REVISION RECORD	DATE
				DESIGN	YY 2020.06.29	Changzhou BesFoc Motor Co., Ltd www.besfoc.com
		STANDARD		Specification		
		TECHNOLOGY				
Specifications		Comment		CHECK		
				APPROVE		

TITLE	STEPPING MOTOR			
DWG.NO.	BF57HS51-2804			
MATERIAL	ECN SIGN	✳	SIZE	A4
REV.	A	SCALE	1:2	SHEET 1 of 1