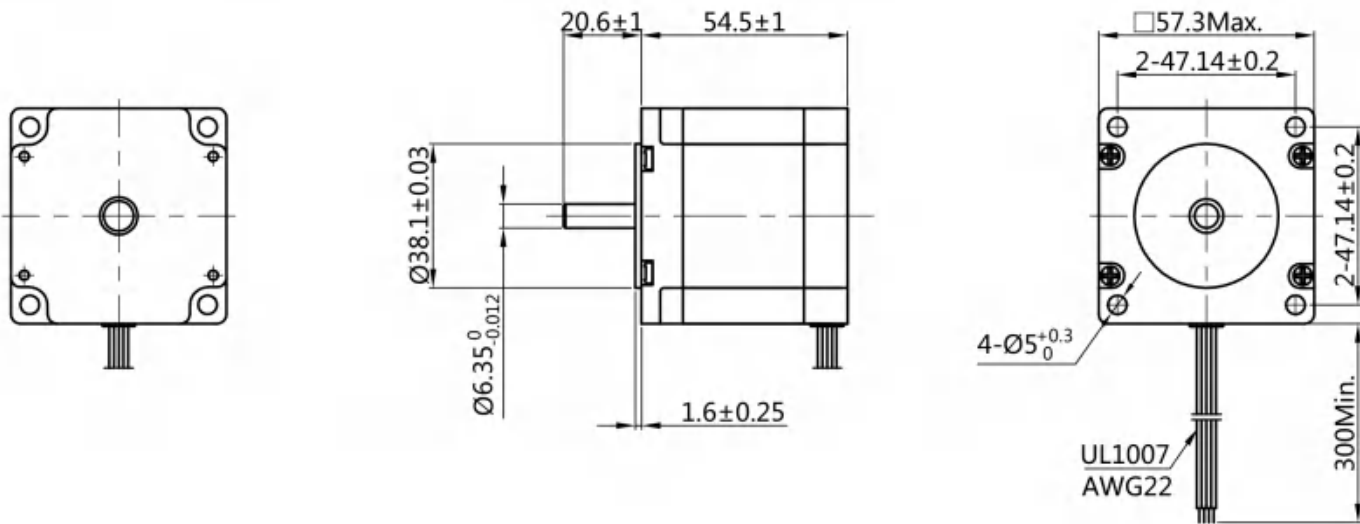
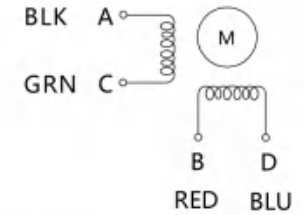


HYBRID STEPPING MOTOR SPECIFICATION

DIMENSIONS unit=mm



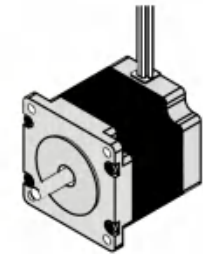
Wiring Diagram



Exciting Sequence vs. Direction of Rotation

| STEP | A | B | C | D | |
|------|---|---|---|---|--|
| 1 | + | + | - | - | |
| 2 | - | + | + | - | |
| 3 | - | - | + | + | |
| 4 | + | - | - | + | |

Clockwise view from mounting side



| | | | | | |
|------------------------|---|----------------|--|--|--|
| 1, Number of Phase | 2 | | | | |
| 2, Step Angle | 1.8° deg. | | | | |
| 3, Rated Voltage | 2.5 V | | | | |
| 4, Rated Current/Phase | 2.8 A (Peak Value) | | | | |
| 5, Phase Resistance | 0.9 $\Omega \pm 0.1(20^\circ\text{C})$ | | | | |
| 6, Phase Inductance | 2.5 mH $\pm 20\%(1\text{kHz } 1\text{V RMS})$ | | | | |
| 7, Holding Torque | 12.6 Kg.cm | | | | |
| 8, Insulation Class | B (130°); 80K Max. | | | | |
| 9, Weight | 0.7 kg | | | | |
| Specifications | | Comment | | | |

| REV. | REVISION RECORD | | DATE |
|------------|-----------------|------------|---|
| DESIGN | YY | 2020.06.29 | Changzhou BesFoc Motor Co., Ltd www.besfoc.com |
| STANDARD | | | Specification |
| TECHNOLOGY | | | |
| CHECK | | | |
| APPROVE | | | |

| | | | | |
|----------|------------------|-------|-----|--------------|
| TITLE | STEPPING MOTOR | | | |
| DWG.NO. | BF57HS56-2804-01 | | | |
| MATERIAL | ECN SIGN | SIZE | A4 | |
| REV. | A | SCALE | 1:2 | SHEET 1 of 1 |