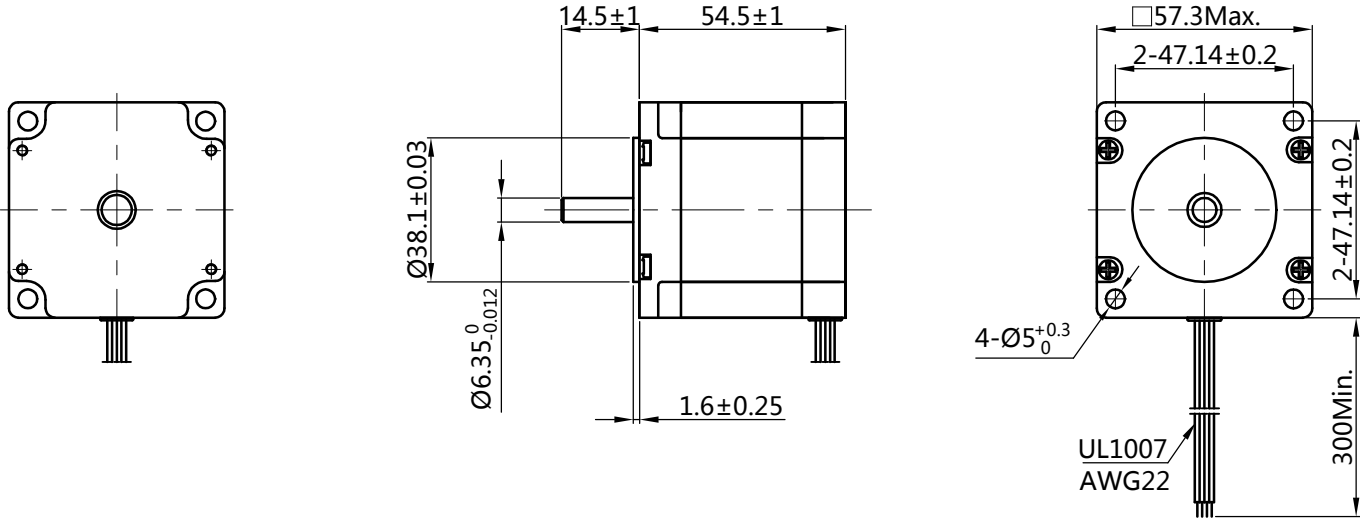
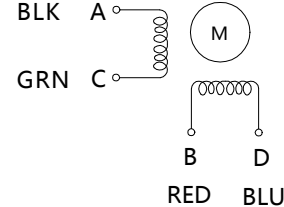


HYBRID STEPPING MOTOR SPECIFICATION

DIMENSIONS unit=mm



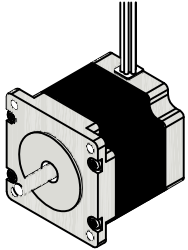
Wiring Diagram



Exciting Sequence vs. Direction of Rotation

STEP	A	B	C	D	
1	+	+	-	-	↓ CCW ↑ CW
2	-	+	+	-	
3	-	-	+	+	
4	+	-	-	+	

Clockwise view from mouting side



1、 Number of Phase	2				
2、 Step Angle	1.8° deg.				
3、 Rated Voltage	2.5 V				
4、 Rated Current/Phase	2.8 A (Peak Value)				
5、 Phase Resistance	0.9 Ω±0.1(20°C)				
6、 Phase Inductance	2.5 mH±20%(1kHz 1V RMS)				
7、 Holding Torque	12.6 Kg.cm				
8、 Insulation Class	B (130°) ; 80K Max.				
9、 Weight	0.7 kg				
Specifications		Comment			

Email: sales@besfoc.com

REV.	REVISION RECORD		DATE
DESIGN	YY 2020.06.29	Changzhou BesFoc Motor Co., Ltd www.besfoc.com	
STANDARD		Specification	
TECHNOLOGY			
CHECK			
APPROVE			

TITLE	STEPPING MOTOR			
DWG.NO.	BF57HS56-2804-01			
MATERIAL	ECN SIGN	SIZE	A4	
REV.	A	SCALE	1:2	SHEET 1 of 1