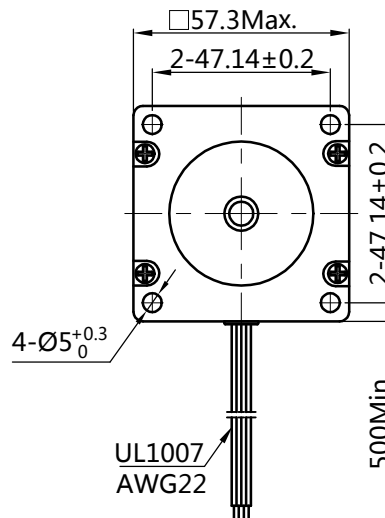
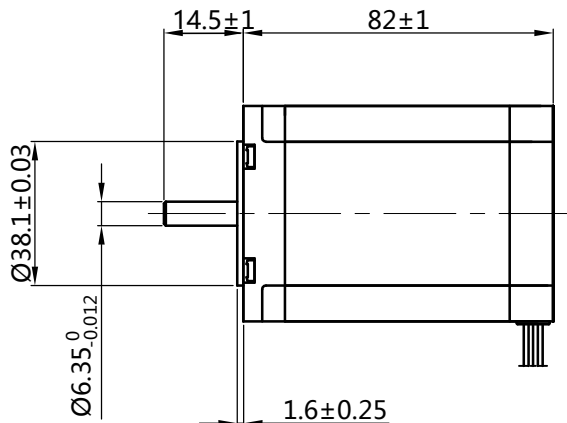
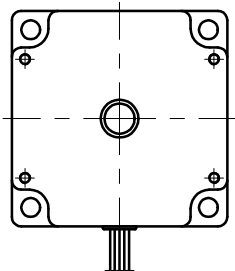
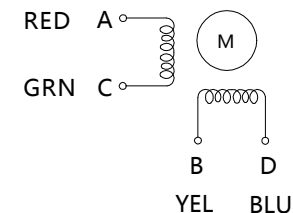


# HYBRID STEPPING MOTOR SPECIFICATION

DIMENSIONS unit=mm



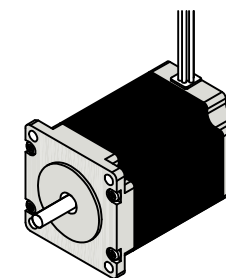
## Wiring Diagram



## Exciting Sequence vs. Direction of Rotation

STEP	A	B	C	D	
1	+	+	-	-	↓ CW ↑ CCW
2	-	+	+	-	
3	-	-	+	+	
4	+	-	-	+	

Clockwise view from mounting side



1、 Number of Phase	2				
2、 Step Angle	1.8° deg.				
3、 Rated Voltage	3.6 V				
4、 Rated Current/Phase	3 A ( Peak Value )				Email: sales@besfoc.com
5、 Phase Resistance	1.2 Ω±10%(20°C)			REV.	REVISION RECORD
6、 Phase Inductance	4 mH±20%(1kHz 1V RMS)			DESIGN	YY 2020.06.29
7、 Holding Torque	21 Kg.cm			STANDARD	
8、 Insulation Class	B ( 130° ) ; 80K Max.			TECHNOLOGY	
9、 Weight	1.2 kg			CHECK	
				APPROVE	

Changzhou BesFoc Motor Co., Ltd  
www.besfoc.com

Specification

TITLE	STEPPING MOTOR				
DWG.NO.	BF57HS82-3004-02				
MATERIAL		ECN SIGN	* SIZE	A4	
REV.	A	SCALE	1:2	SHEET	1 of 1