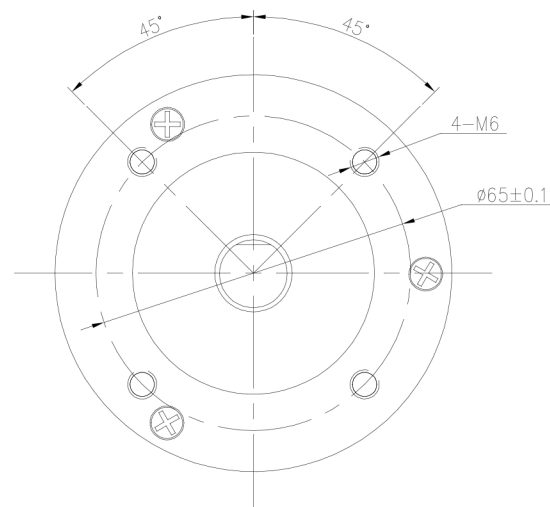
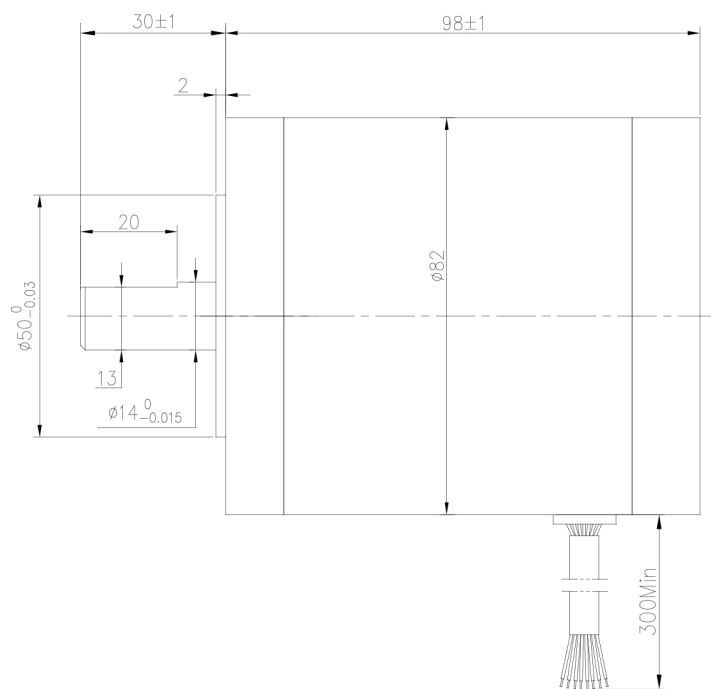
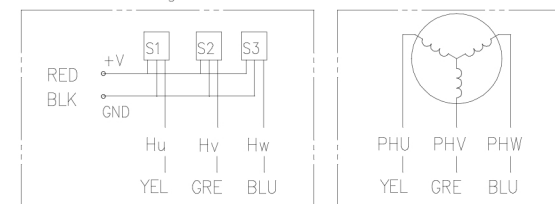


Dimension:
Unit=mm



Connection diagram:



Hall sensor cable

Note: hall sensor power supply
voltage +5 to +20VDC

Wiring cable

ROTATION: CCW SEE FROM LEAD END

MANUFACTUER MODEL	JK80BLS02
NUMBER OF POLES	4
PHASE TO PHASE RESISTANCE	0.48 OHMS
NOMINAL VOLTAGE	48 VDC
NO LOAD SPEED	3700±10% RPM
NO LOAD CURRENT	0.9 Amps Max.
RATED TORQUE	0.7 N-m
RATED SPEED	3000±10% RPM
OUTPUT POWER	220 W
BACK EMF CONSTANT	13 V/kRPM
TORQUE CONSTANT	0.124 N-m/A
INSULATION CLASS	B

ELECTRICAL CONNECTION TABLE

Signal	Color	Chinese	Wire Gauge
+5V	RED	红	UL1007 26 AWG
HALL U	YEL	黄	
HALL V	GRE	绿	
HALL W	BLU	蓝	
GND	BLK	黑	UL1015 18 AWG
PHASE U	YEL	黄	
PHASE V	GRE	绿	
PHASE W	BLU	蓝	

REV.	QTY.	No.	SIG.	DATE
DESIGN	WH	18.01.20	STD.	
CHECK				
PROC.			APPR.	

Title:

Specification

CLS.MAK

WEIGHT

SCALE

PAGE:

1/1

Changzhou BesFoc Motor
Co., Ltd

BF80BLS02

www.besfoc.com