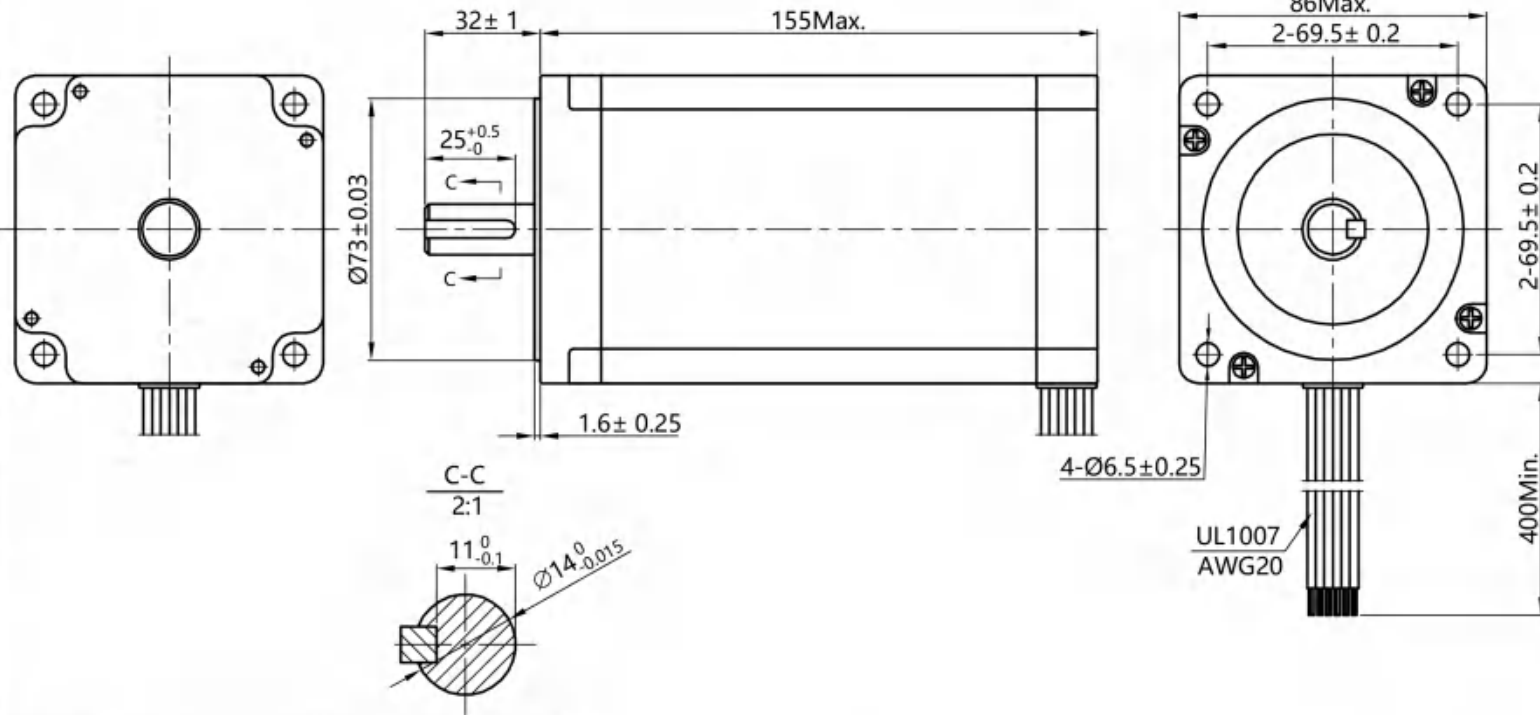
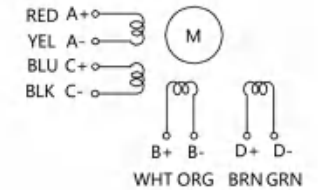


HYBRID STEPPING MOTOR SPECIFICATION

(DIMENSIONS) unit=mm



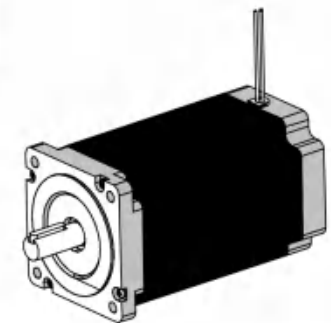
Wiring Diagram



Exciting Sequence vs. Direction of Rotation

STEP	A	B	C	D	
1	+	+	-	-	CCW ↑ CW
2	-	+	+	-	
3	-	-	+	+	
4	+	-	-	+	

Clockwise view from mounting side



1. Number of Phase	4		
2. Step Angle	1.8° deg.		
3. Wiring	PARALLEL	UNIPOLAR	SERIES
4. Rated Voltage	3.67 V	5.25 V	7.35 V
5. Rated Current/Phase	5.88 A	4.2 A	2.94 A
6. Phase Resistance	0.625 Ω	1.25 Ω	2.5 Ω
7. Phase Inductance	8 mH	8 mH	32 mH
8. Holding Torque	12.2 N.m	8.5 N.m	12.2 N.m
9. Insulation Class	B (130°) ; 80K Max.		
10. Weight	5.3 kg		

Specifications

Comment

REV.	REVISION RECORD	DATE
DESIGN		
STANDARD		
TECHNOLOGY		
CHECK		
APPROVE		

Changzhou BesFoc Motor Co., Ltd
www.besfoc.com

Specification

TITLE	STEPPING MOTOR				
DWG.NO.	BF86HS155-4208				
MATERIAL	ECN SIGN	※	SIZE	A4	
REV.	A	SCALE	1:2	SHEET	1 of 1